



GLASSWASHER GP-40

Rack size 400 mm x 400 mm and door clearance 240 mm.



WARE WASHING
COMMERCIAL GLASSWASHER · GLASS-PRO LINE

SALES DESCRIPTION

Sani-Control guarantee

- ✓ GUARANTEED DISINFECTION in compliance with standard DIN 10534.
- ✓ THERMAL LOCK function: Ensures that rinsing will be carried out at the ideal temperature to disinfect the dishes.
- ✓ Upper and lower washing.
- ✓ Construction in stainless steel AISI 304 2B.
- ✓ Interior with rounded finishes to prevent the accumulation of dirt.

Double filter system

- ✓ Maximum protection of the washing pump.

Double-walled door

- ✓ Double-walled door, safety microswitch and high quality seal: perfectly soundproof and watertight.

Warewashing, made simple

- ✓ GP Xperience: simple and intuitive use.
- ✓ Dedicated cycles: selection of the ideal washing programme using icons.
- ✓ Electronic control panel with IP65 humidity protection.
- ✓ 100% Tested.

Tech-friendly

- ✓ Tool-free extraction of diffusers and filters for maintenance and cleaning
- ✓ Easy access to components for repair.

INCLUDES

- ✓ Rinse aid pump.
- ✓ 1 mixed basket (plates).
- ✓ Peristaltic Detergent Pump
- ✓ 1 small basket for cutlery.
- ✓ 1 glasses basket.

OPTIONAL

- Overflow drainage pump. Tank of density. water renewal by the principle

ACCESSORIES

- Manual water softeners
- Automatic water softeners
- 400 x 400 mm baskets
- Inserts & supplements
- High feet kit
- Reverse osmosis devices OS-140

SPECIFICATIONS

Basket dimensions: 400 mm x 400 mm

Useful height: 240 mm

Cycle duration: 120 / 150"

Production baskets / hour: 30 / 24

Boiler capacity: 3.2 l

Wash tank capacity: 15 l

Water consumption/cycle: 2.2 l

Loading

- ✓ Pump: 250 W / 0.33 Hp
- ✓ Tank: 1200 W
- ✓ Boiler: 2500 W
- ✓ Total loading: 2750 W

External dimensions (W x D x H)

- ✓ Width: 470 mm
- ✓ Depth: 535 mm
- ✓ Height: 670 mm

Net weight: 41 kg

Crated dimensions

525 x 615 x 820 mm

AVAILABLE MODELS

1303052 GP-40 230/50/1 DD

1303056 GP-40B 230/50/1 DD

* Ask for special versions availability



product sheet
updated 20/01/2024

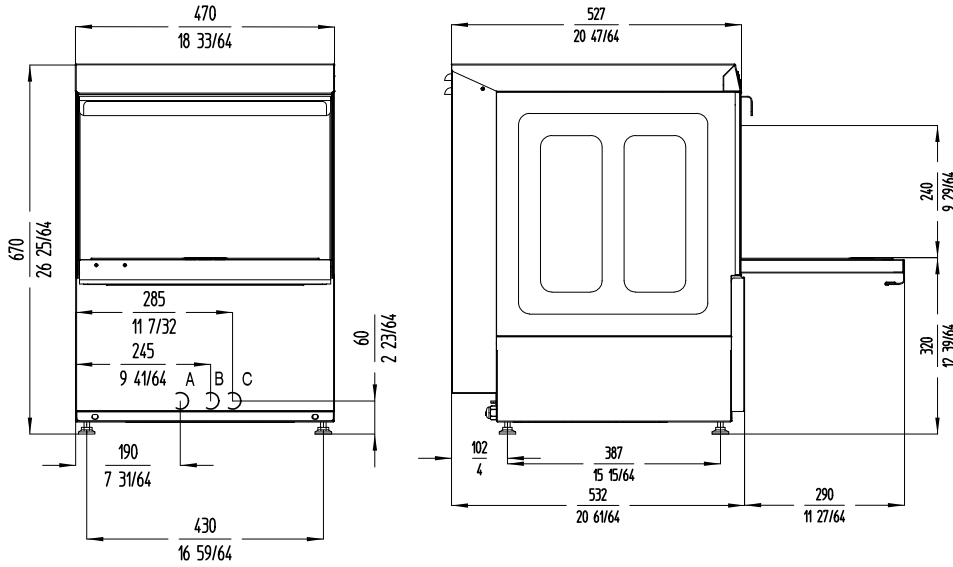


GLASSWASHER GP-40

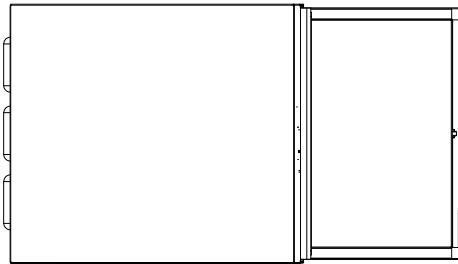
Rack size 400 mm x 400 mm and door clearance 240 mm.



WARE WASHING
COMMERCIAL GLASSWASHER · GLASS-PRO LINE



A: Entrada de agua 3/4" GAS,
 B: Tubo de desague Ø30 mm
 C: Cable conexión



www.sammic.co.uk

Food Service Equipment Manufacturer

Unit 2, Trevanah Road

Troon Industrial Park

LE4 9LS - Leicester

uksales@sammic.com

Tel.: +44 0116 246 1900



Project

Date

Item

Qty

Approved

product sheet
updated 20/01/2024