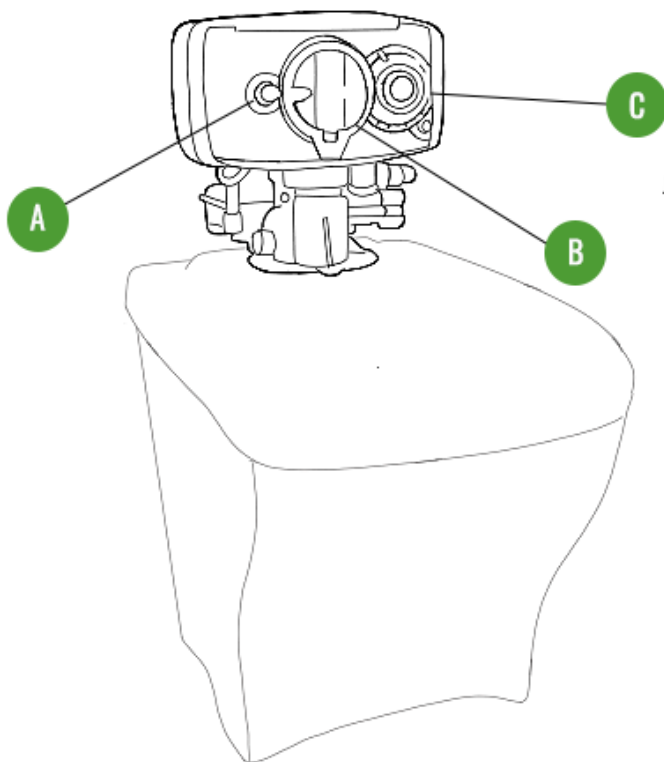


MJR02 Automatic water softener



- Maximum flow rate 75 litres/minute
- Operating pressure 1.5-6 Bar
- Inlet Water Temperature: <40c
- Salt consumption: 1Kg
- Brine Tank Capacity: 1Kg
- Quantity of Resin: 6.5 Litres
- Inlet/outlet connection: ¾" BSP
- 13AMP (plug) power connection required
- Overflow drain pipe at rear of device, should be plumed to nearest drainage.



1. Push and hold the white button **(A)** to turn service wheel **(B)** to set time E.g. 12 o'clock on bottom of wheel which will appear as 12a or 12 depending on if you want am or pm. The service wheel must be left showing IN-SERV which will appear to the left of the wheel.

Softeners are set to Regen at 2:00 in the morning but can be change on the regen wheel.

2. Regeneration Frequency is set on the 12 day disk.

The Wheel **(C)** has pins that represent days of the week, by pulling out pins, the softener will regenerate on the days you have removed the pins on. * most softeners are set to regen everyday* -passthroughs should be set for every other day.

Key:

- A** Push to set time
- B** Service Wheel containing date
- C** Regen Wheel

Connecting the Device

****Before initiating the device, the user must set the current time and the day of regeneration****

1. Connect inlet and outlet of the device to the water supply.
2. Connect one side of the draining elastic hose 1/2", to the fitting and the other to the sewage system.
3. The sewage system should be unobstructed enough to discard 5 l/min of rinse water. The elastic hose should be inflexible enough to rule out the possibility of clogs, which can lead to overflow of brine tank.
4. Slowly turn on raw water supply valve.
5. Pour approximately. 45kg of tablet salts into the brine tank
6. Deaerate system by turning the wheel (**B**) clockwise to the BACK WASH position. After few minutes the system will deaerate. Next, turn the wheel back to the IN SERV position and the system will go back to water softening mode
7. Pour about 5 litres to the brine tank.
8. Connect the device to power supply 230V (D) and set the current time (see Page 1 point 1)

Handling

The proper handling of the device requires periodic tablet salt refill. The brine tank should be fully refilled every time. The minimum amount of salt that must be in the tank for the device to function properly, is about 1/3 of brine tank capacity.

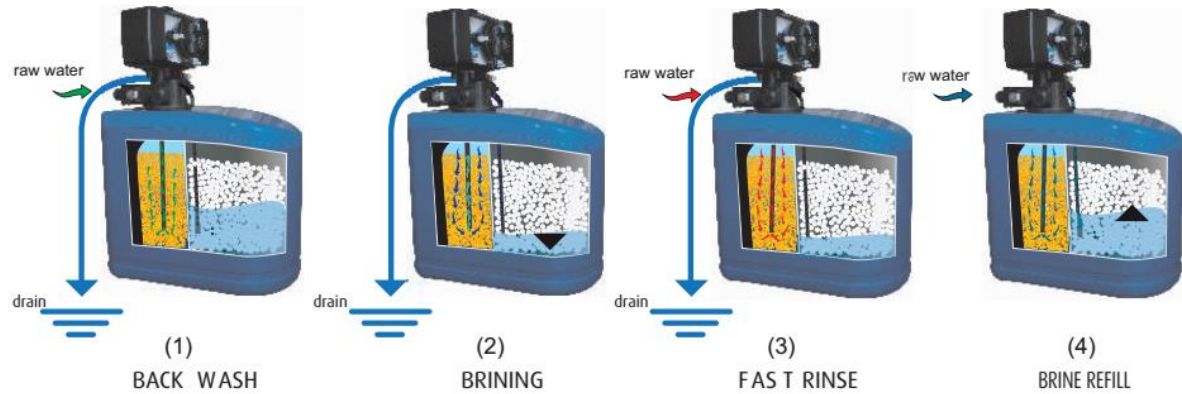
Refilling the salt tablets:

- Lift the cover of the device,
- Pour the salt tablets.
- Close the lid

****The device must not operate without salt tablets for more than 14 days, otherwise the system may be damaged****

Regeneration Process

Regeneration proceeds automatically. It's a process which purifies the resin bed from all mechanical impurities and subsequently rinses the resin with brine which washes out all accumulated Calcium and Magnesium ions to the sewerage



How water softening works?

Water softening takes place in a fiberglass tube filled with a resin. Calcium and Magnesium ions become absorbed by resin beads as the water flows through the column. Eventually, the resin becomes saturated in calcium ions and stops being effective. The column can be regenerated by pouring regeneration salt through it. The calcium ions are flushed out and it allows the column to be reused.

