



QUICK START USER MANUAL

KINGFISHER DELUXE
PASSTHROUGH DISHWASHER

INTRODUCTION

Welcome to your new Kingfisher Deluxe Warewasher.

This model refers to more than one type of unit in the range. For reference, refer to the product specifications overleaf to identify your appliance.

Unpacking & Positioning

- ⚠ **Warning:** When positioning or moving the machine, ensure that the hood is secured in the closed position. You must ensure your fingers are not in any trap areas, such as the hinges. Tilting and moving the appliance when the hood is not secured can cause it to open suddenly and failure to observe this notice could therefore result in injury or damage.
- ⚠ Upon unwrapping, inspect the machine for damage immediately. If any issues are noticed, please contact the retailer directly.
- ⚠ Read this user manually carefully, particularly installation instructions overleaf before attempting to use or operate the machine.

Safety Instructions

- ⚠ Do not touch moving parts of the appliance whilst it is in operation.
- ⚠ Do not install or use the appliance in the presence of flammable or explosive materials.
- ⚠ Do not operate the appliance when it is not connected to a water supply
- ⚠ This appliance must be earthed in accordance with local regulations. All damage caused by use when not earthed will not be covered under the warranty.
- ⚠ If for any reason there is a malfunction of the appliance which causes a leak of water, ensure that the electrical supply is switched off at the plug/circuit breaker immediately before touching the appliance.
- ⚠ In the event of a malfunction of the appliance which causes fire or smoke, switch off the electrical supply at the plug/circuit breaker immediately. Do not use water to extinguish and instead use a fire extinguisher suitable for electrical fires.



For further assistance, please call our UK service partner on 01279 876 500 or write an email to service@buzzsupplies.co.uk

PRODUCT SPECIFICATIONS

Model	Dimensions (mm)	Weight (kg)	Packaging Dimensions
KF1000DW	1485x665x775	120	1560x720x750

Technical Information

Product Code	KF1000DWD30A	Product Code	KF1000DWD3PH
Fuse Rating	30A (1 Phase)	Fuse Rating	25A (3 Phase)
Basket Dimensions	500x500mm	Basket Dimensions	500x500mm
Total Power	6.55kw	Total Power	9.55kw
Motor Power	0.55kw	Motor Power	0.55kw
Boiler Heating	6kw	Boiler Heating	9kw
Tank Heating	2.8kw	Tank Heating	2.8kw
Operating Voltage	230v	Operating Voltage	400v
Program Timer	60/90/120 seconds	Program Timer	60/90/120 seconds
Drain Pump	Yes	Drain Pump	Yes

GENERAL INFORMATION

Before installing or using the appliance, read this quick start user manual carefully. Incorrect installation of the machine may damage the product, cause injury to people and invalidate your warranty. The company is not responsible for damage to the appliance because of incorrect use, negligence, wrong connections etc.

1. This instruction manual should be kept in a safe place for future reference
2. Installation should be made by a qualified service engineer
3. Please check for local regulations and rules about proper use & connection
4. The appliance is designed for commercial use & operation by trained personnel only
5. In the event of a malfunction or failure, turn off the appliance immediately
6. The appliance should only be repaired by authorised service personnel.



For further assistance, please call our UK service partner on 01279 876 500 or write an email to service@buzzsupplies.co.uk

INSTALLATION

All Kingfisher Deluxe Passthrough Dishwashers are supplied with the following:

1. 1 or 3 Phase Hardwire (Pre-Installed)
2. Drain Hose (Pre-Installed)
3. Water Inlet Hose (Not Installed)
4. Detergent Intake Pipe (Pre-Installed)
5. Rinse Aid Intake Pipe (Pre-Installed)
6. Baskets (3)
7. Feet (4)

▲ IMPORTANT

Please take care when unpacking the unit as the feet do not come pre-installed. Ensure these are installed on to the unit **BEFORE** moving to the location you are installing to. Once in place ensure unit is level, left to right, front to back as if not this can affect the running of the machine.

Connecting the Water Supply

The mains water hose will be supplied with the unit and located in the wash tank (Seen when retrieving the feet in the previous step). Connect one end of the hose to the Inlet valve on the unit, ensure to **NOT** cross thread when screwing on to the unit. Once it has been connected tightly connect the other end of the hose to your mains water supply or water softener where applicable.

▲ Please Note: medium to hard water areas must be connected to a water softener. Failure to do so could damage your machine, cause poor wash results and invalidate your warranty. Scan the QR code to find out more about water quality in your area.



Connecting The Waste Outlet

The grey ribbed waste hose will need to be connected to your waste outlet.

All Kingfisher deluxe machines are fitted as standard with a drain pump. However, you must ensure the waste outlet is not higher than three quarters of the height of the unit as this will prevent the pump from operating correctly.

Connecting To Electrical Supply

This unit requires hard wiring to a suitable electrical power supply and connection must be done by an authorised electrician. The machine is available as two models and the connection requirements differ between them. Please refer to the appliance data plate to verify that it matches the supply voltage and power rating.

Single Phase Connections:

The hard wire cable fitted to the machine will have 3 wires.

This must be hardwired to a 230V 1-phase supply (or connected using a commando plug) that's rated for 32 Amps. For single phase, the commando our outlet will normally be blue.

3 Phase Connections:

The hard wire power cable fitted to the machine will have 5 wires.

This must be hardwired to a 400V 3-phase supply (or connected using a commando plug) that's rated for 25 Amps. For 3 phase, the commando or outlet will normally be red.

Connecting To Chemicals

All units will come supplied with automatic chemical dosing pumps fitted internally to the machine. The pickup for these are the two pipes at the rear of the machine.

CLEAR: for dishwash detergent

GREEN or BLUE: for rinse aid

⚠ Please Note: If the unit has 2 clear pipes fitted, there will stickers to indicate which pipe is used for which stuck to the back of the machine where the pipe exits.

RECOMMENDED ENTIRE PRO CHEMICALS

Wash results and machine longevity can be highly dependant on the quality of chemicals used. Kingfisher has been tested with and always recommends the use of EntirePro.

It is always advisable to make a small hole in the lid of the chemicals and feed the tube through, you will need to remove the weight and filter before doing so, re attach this when the tube has gone through the lid, screwing the lid back on to the chemical bottle. Ensure the chemical dosing tube has been fed through, so it is at the bottom of the bottle. This is to prevent Oxidisation of the chemicals and provide a longer shelf life.

First Use

1. Ensure the power is on at the socket, the power light on the front unit will illuminate
2. Make sure that the Water valve has been turned on/Water softener is open to the machine
3. You are now ready to begin using the unit.
4. Turn overleaf for operating instructions.

OPERATION

Control Panel Overview

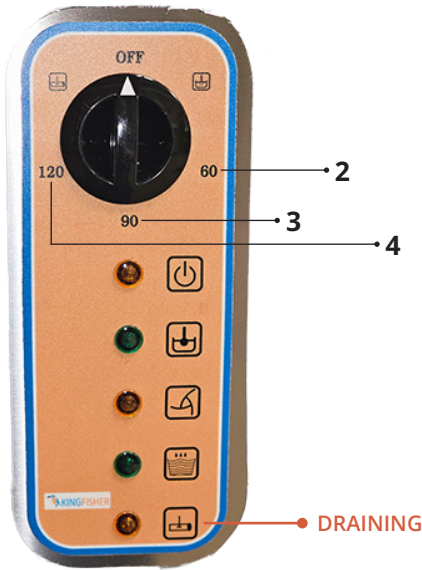


Filling the machine



1. Using the Black Dial at the top. Turn to **position 1**.
2. The unit will then **fill with water**, after a short while this will stop at the required level and automatically start to **heat the boiler and tank**. This will take between **45-60 mins**.
The chemicals will have already dispensed via the internal pumps. Do not add any additional chemicals to the wash tank: such as washing up liquid or extra detergent/rinse aid.
3. When both tanks are heated to their correct temperatures, the temperature indicator will illuminate to confirm the machine is ready to use. **Do not wash until it is fully heated**.

Starting a wash cycle



1. Ensure that all items receive a **pre rinse** before going through the wash cycle. This is to ensure no grease/grime or excess food stuff goes into the wash tank.
2. Place the items in the basket ensuring there is nothing poking through the holes in the basket that may interfere with the bottom wash/rinse arm rotation.
3. Close the hood and turn the Black Dial to **Position 2, 3 or 4** for your preferred wash cycle.
4. The unit will perform the **wash cycle** and then a small **rinse cycle**.
5. Open the hood and remove the tray, closing the door to ensure there is minimal loss of heat or vapour, as this can cause electrical problems.

Draining and end of day cleaning



1. When the machine requires to be emptied, generally at the end of the day, remove the tray and **release the overflow** ensuring the filter remains in place until all water has drained.
2. Turn the black dial to **position 5**.
3. The **drain pump will start** and water will begin to empty from the tank going through the drain pipe to your external waste pipe. It may be necessary to perform this procedure more than once should there is residual left over.
4. Once emptied, ensure you complete your daily/monthly cleaning procedure.

Maintenance

General Tips

Drain & replenish the water in the water tank at least once a day. You may need to do this more regularly if it becomes dirty during operation.

Before putting dishes into the appliance, we advise that you prewash them by rinsing with cold or warm water over a sink. This helps to remove any residual food debris.

Do not pre-wash with soaps or washing up liquid as residual can contaminate the wash water inside the tank.

Daily Cleaning & Maintenance

Always turn off the appliance and disconnect the power supply for cleaning.

Drain dirty wash water by removing the plug and utilising the drain pump.

Remove and clean the tank filters by washing and rinsing them in the sink. This helps to prevent debris build up and ensure efficient cleaning.

Clean the wash chamber with a hot soapy water solution, before rinsing and then drying with a clean cloth. Do not use abrasive cleaning chemicals.

Wipe down external surfaces with a damp cloth and mild cleaning solution. Do not clean the control panel by spraying water directly, otherwise this can cause damage to the electrical components.

Check detergent levels to ensure that the machine is not operated without appropriate supply of detergent and rinse aid.

Weekly Maintenance

Check and replenish your water softener to ensure optimal water quality. We recommend this is done weekly, but frequency may be increased if you notice limescale build up inside the washing chamber.

Inspect and clean washer jets by unscrewing the wash arms and nozzles and flushing through with clean water. If they are blocked with limescale, soak in a descaler solution to clean.

Monthly Maintenance

Descal the dishwasher. Let the machine fill up and heat then add an appropriate dilution of catering descaler solution. Leave for 5 minutes then run 3 wash cycles without anything in the machine. Once complete, drain down and flush with fresh water to remove any residue.

Front Service Panel

The front panel of the machine can be removed by undoing the **4 screws** across the front bottom of the machine. This will allow access to the temperature thermostats and chemical dosing pumps so adjustments can be made.

Do not attempt to remove the services panel with the electrical supply connected. Always ensure the power has been disconnected before disassembling the machine.

Methods for adjusting settings will vary depending on model. Scan the QR codes to watch the below guidance videos:

Temperature Control Settings:



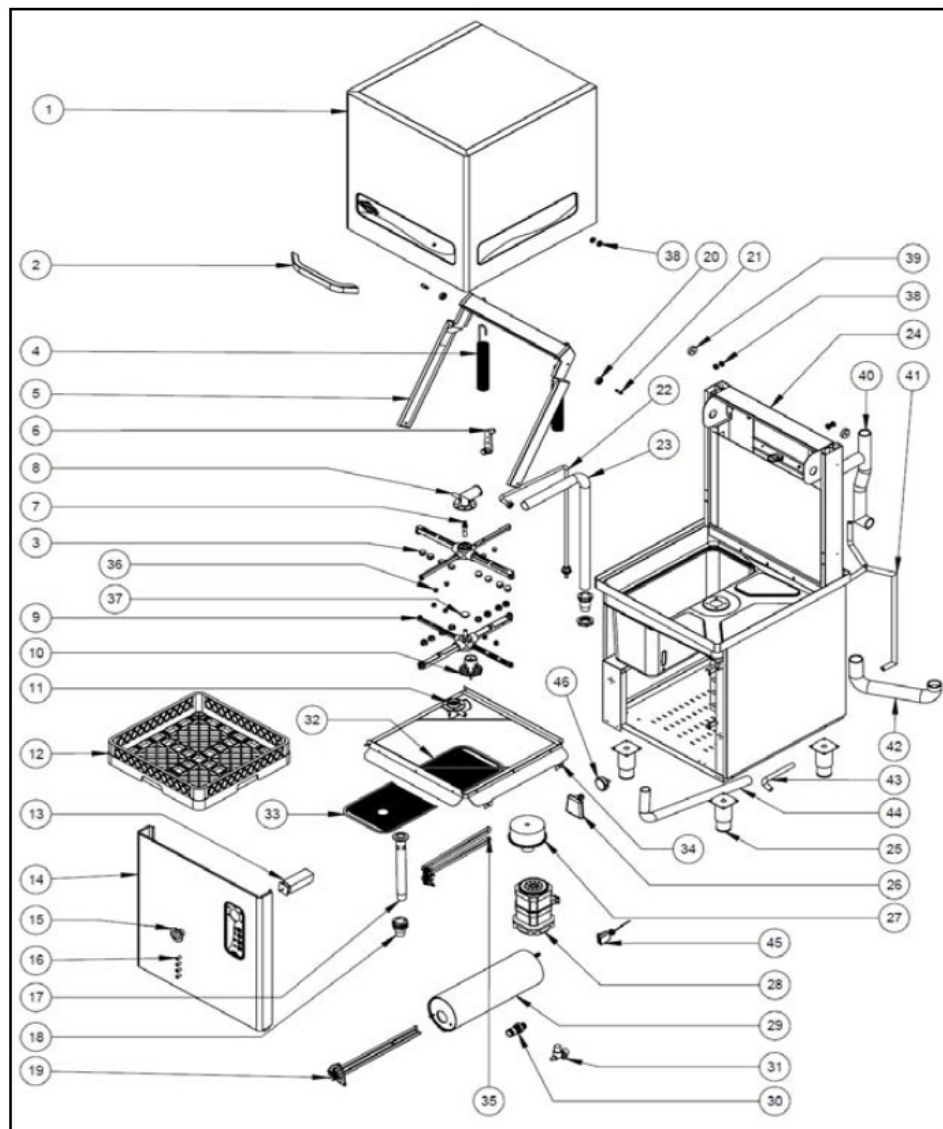
<https://youtu.be/ogs8bljPP6A>

Detergent/Rinse Aid Dosing Settings:



<https://youtu.be/S2LVhBQ71lw>

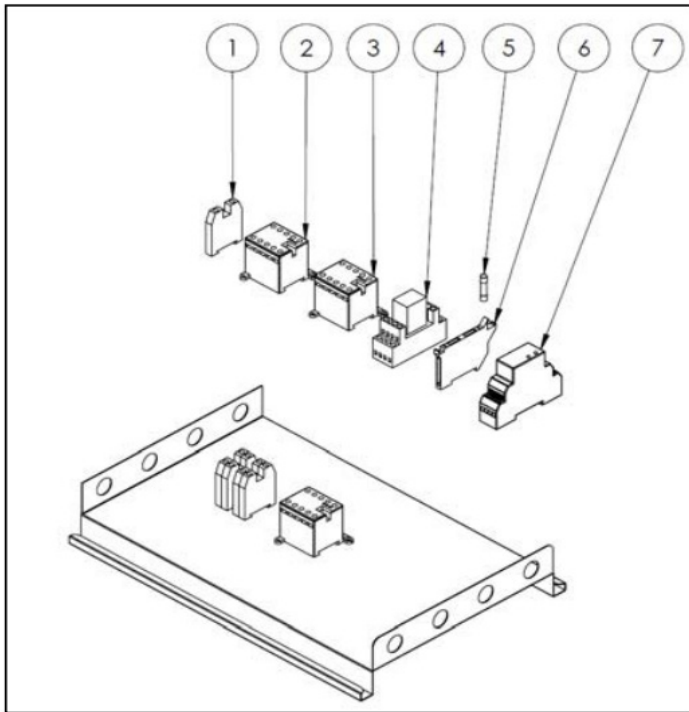
Spare Parts List - Exploded Diagram



PRODUCT CODE : EMP.1000

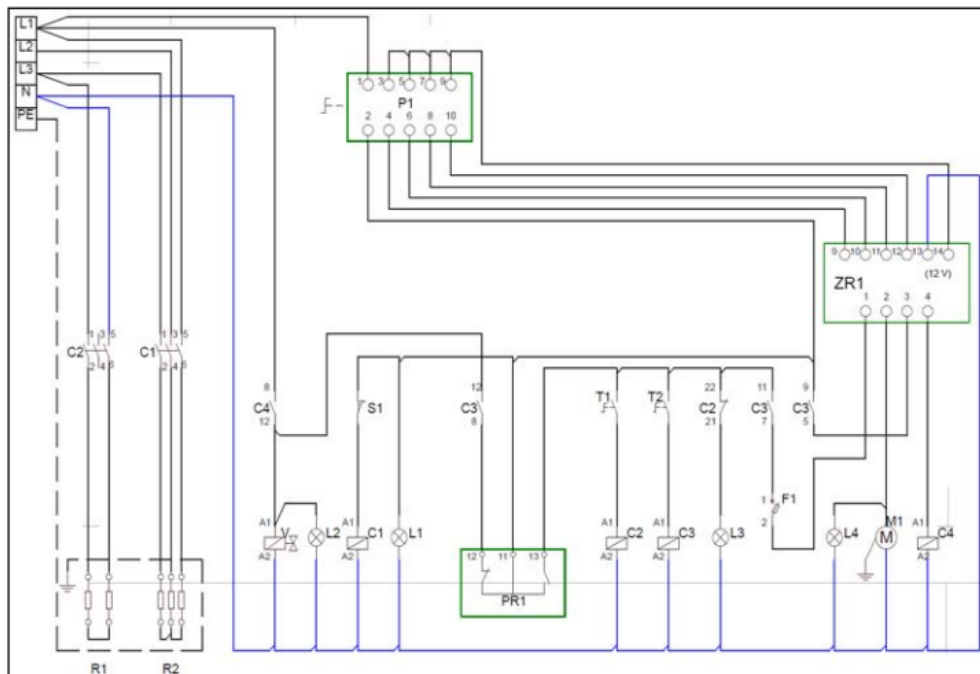
NUMBER	PRODUCT NAME	PRODUCT CODE
1	TOP LID	Y.EMP.1000.001
2	HANDLE	Y.EMP.1000.002
3	WASHING NOZZLE	Y.EMP.1000.003
4	SPRING	Y.EMP.1000.004
5	HOOD HANDLE	Y.EMP.1000.005
6	SPRING TENSION HANDLE	Y.EMP.1000.006
7	EJECTOR SHAFT	Y.EMP.1000.007
8	TOP WATER HANDLE	Y.EMP.1000.008
9	EJECTOR	Y.EMP.1000.009
10	BOTTOM EJECTOR HANDLE	Y.EMP.1000.010
11	BOTTOM WATER HANDLE	Y.EMP.1000.011
12	BASKET	Y.EMP.1000.012
13	SWITCH	Y.EMP.1000.013
14	BOTTOM LID	Y.EMP.1000.014
15	BUTTON	Y.EMP.1000.015
16	WARNING LAMP	Y.EMP.1000.016
17	DRAINAGE WEDGE	Y.EMP.1000.017
18	DRAINAGE BEARING	Y.EMP.1000.018
19	BOILER RESISTANCE	Y.EMP.1000.019
20	BALL BEARING	Y.EMP.1000.020
21	SCREW	Y.EMP.1000.021
22	RINSING PIPE	Y.EMP.1000.022
23	WASHING PIPE	Y.EMP.1000.023
24	BASE FRAME	Y.EMP.1000.024
25	FEET	Y.EMP.1000.025
26	AIR LOCK	Y.EMP.1000.026
27	FILTER	Y.EMP.1000.027
28	MOTOR	Y.EMP.1000.028
29	BOILER TANK	Y.EMP.1000.029
30	DRAINAGE ADD. PIPE	Y.EMP.1000.030
31	VALVE	Y.EMP.1000.031
32	IMPERFORATED FILTER	Y.EMP.1000.032
33	PERFORATED FILTER	Y.EMP.1000.033
34	BASKET PLATFORM	Y.EMP.1000.034
35	BOWL RESISTANCE	Y.EMP.1000.035
36	RINSING NOZZLE	Y.EMP.1000.036
37	EJECTOR NUT	Y.EMP.1000.037
38	SMALL WHEEL	Y.EMP.1000.038
39	BIG WHEEL	Y.EMP.1000.039
40	WASHING HOSE	Y.EMP.1000.040
41	RINSING HOSE	Y.EMP.1000.041
42	BOWL PUMP HOSE	Y.EMP.1000.042
43	BOILER VALVE HOSE	Y.EMP.1000.043
44	DRAINAGE HOSE	Y.EMP.1000.044
45	THERMOSTAT	Y.EMP.1000.045
46	BALLCOCK	Y.EMP.1000.046

Component Diagram



EMP.1000 PANO		
NUMBER	PRODUCT NAME	PRODUCT CODE
1	TERMINAL BLOCK	Y.EMP.1000.047
2	CONTACTOR	Y.EMP.1000.048
3	CONTACTOR	Y.EMP.1000.049
4	LID RELAY	Y.EMP.1000.050
5	FUSE HOLDER	Y.EMP.1000.051
6	GLASS FUSE	Y.EMP.1000.052
7	TIME RELAY	Y.EMP.1000.053

Electrical Circuit Diagram



P1	S1	C1	C2	C3	C4	T1	ZR1	T2
5 Progressive Commutator	Magnetic Door Sensor	Boiler Contactor 230V	Washing Contactor 230V	Lid Relay 230V	Washing Relay 230V	Boiler Thermostat (30-90°C)	5 Cycle-cycle Relay (INTER RR-5TG)	Washing Thermostat (30-90°C)

L1	L2	L3	L4	PR1	M1	R1	R2	F1	V
Start lamp	Rinsing lamp	Water is heated lamp	Washing lamp	Prosestat	Washing Motor 0,55 KW 230V	Washing Resistance 2500W 230V	Boiler Resistance 3x2000W 380V	ZR1 Fuse 500mA	Selenoid valve 230V

Warranty & Repair

Warranty repairs must only be conducted by authorised service personnel. For more information please contact the UK distributor of your machine:

Buzz Supplies Ltd
Unit F, Woodside Ind. Estate
Bishop's Stortford
Hertfordshire
CM23 5RG

T: 01279 876 500

E: Service@buzzsupplies.co.uk

