



KF40, KF40DP Kingfisher Commercial Glasswasher 400mm

Our best-value commercial glasswasher with 400x400mm basket, ideal for washing up to 16 tall pint glasses with a 2-minute fixed wash cycle. Bringing you incredible value for money and outstanding glass washing performance at a cost-effective price. Designed to give outstanding performance & reliability with top quality construction in 304 stainless-steel. With easy plug-and-play installation, wash 540 Plates/Hour with Rapid 2 Minute Wash Cycle.

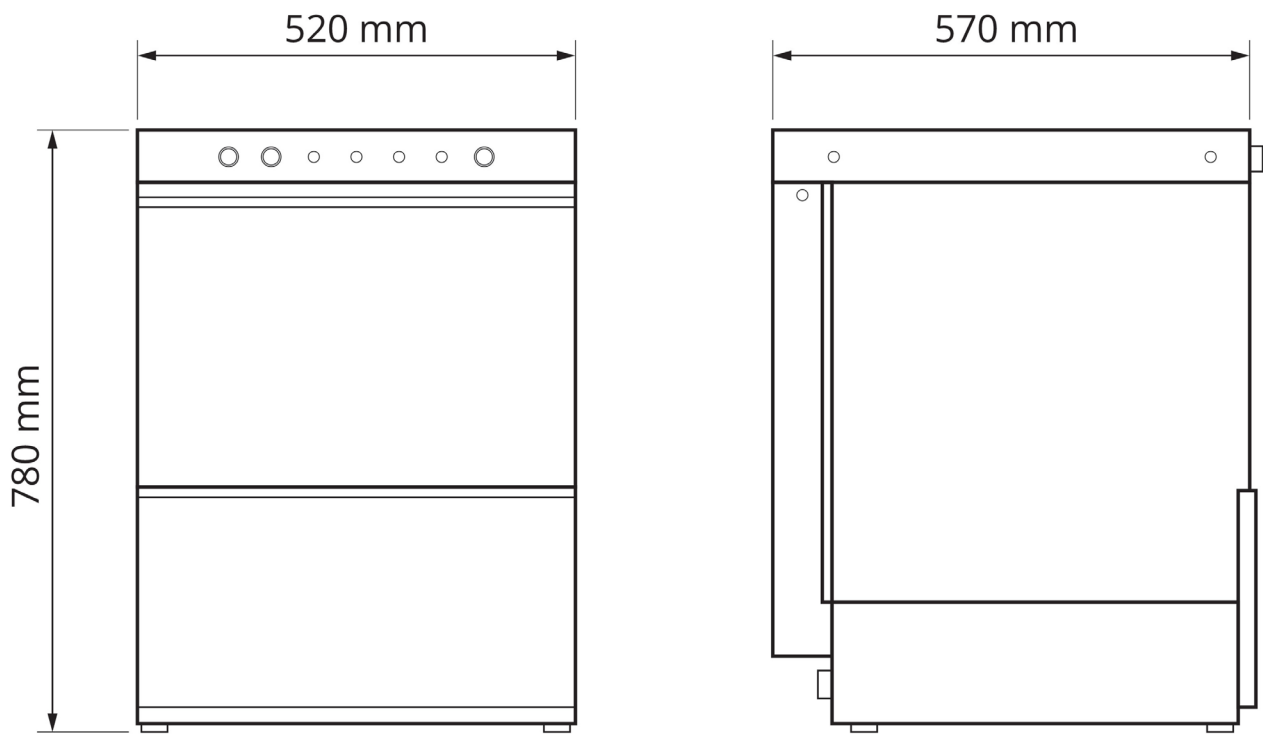
- ✓ 400mm Basket
- ✓ Temperature ready indicator
- ✓ 28cm Clear Entry Height
- ✓ Electronic rinse aid & detergent pumps
- ✓ Automatic start/stop when door open/closed
- ✓ 85°C rinse & 60°C wash temperature
- ✓ Rapid 2 minute wash cycle
- ✓ WRAS approved non-return valve

Specifications

Summary		Power and Performance	
Brand	Kingfisher	Power Type	13 Amp (Plug)
Range	Electronic	Power Consumption (kW)	2.7kW
Model Number(s)	KF40, KF40DP	Amps	13
Unit Type	Glasswasher	Wash Tank	15 Litre (2kW Heating)
Basket Size (mm)	400	Rinse Boiler	5 Litre (2.4kW Heating)

Key Specifications		Weight & Dimensions	
Break Tank	WRAS Non Return Valve	Height (mm)	730
Waste Type	Drain Pump or Gravity Waste	Width (mm)	485
Cycle Time (Seconds)	120	Depth (mm)	530
Cycle Type	Fixed	Clear Entry Height (mm)	280
Key Features	Rinse Aid and Detergent Dispensers	Weight (Kg)	90

Technical Diagram



Industrial Warewashers
Woodside Industrial Estate
Dunmow Road
Bishop's Stortford
Hertfordshire
CM23 5RG

Customer Care

Tel: 01279 876500 (Option 3)

Email: sales@industrial-warewashers.com

Opening Hours

Monday – Friday:
8.30am – 5.30pm