



ECGW50EL & ECGW500DP Enviro Clean Electronic Commercial Glasswasher 500mm

Featuring fully digital control panel with temperature display and 5 wash programs including rapid 60 second cycle. Easy to use with intuitive colour-coded cycle button and cycle countdown timer, plus advanced features such as self-cleaning mode & thermostop for guaranteed thermal disinfection. No detergents, no rinse aid and no water softener required. Just use the machine with our Enviro Clean Glasswasher Detergent.

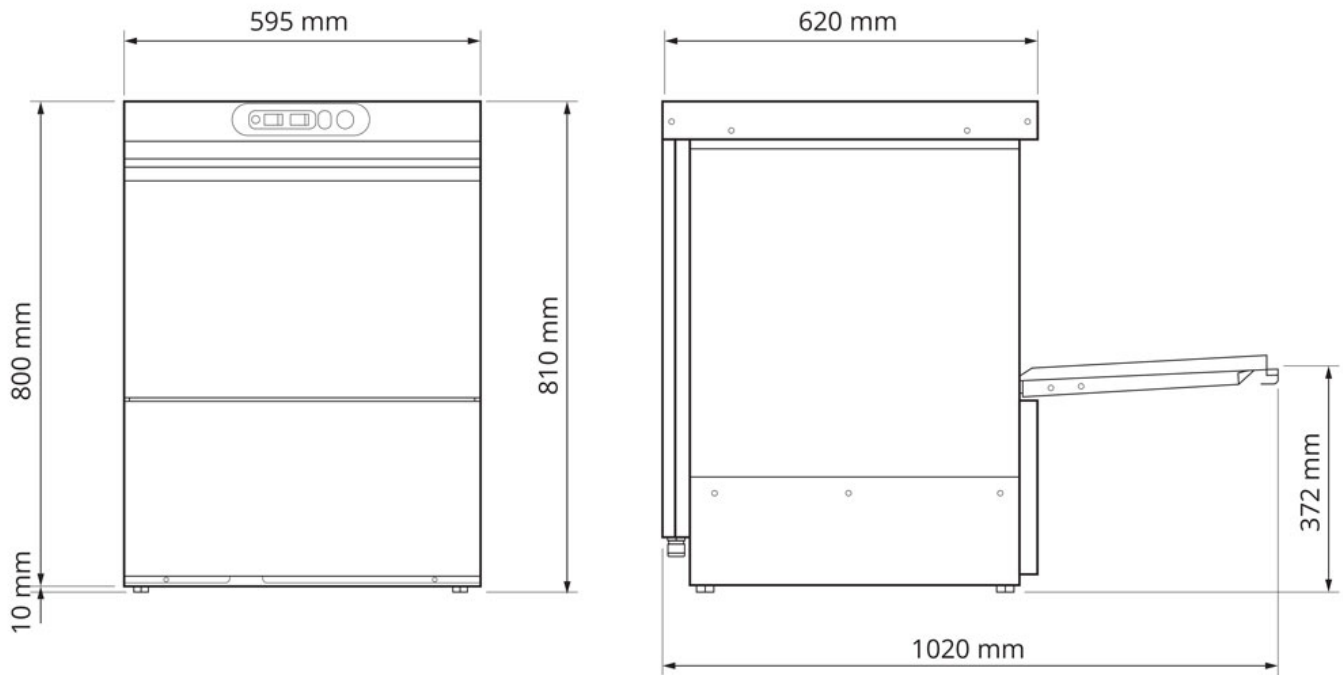
- ✓ Digital control panel with temperature displays
- ✓ Improves drink carbonation, beer head retention & lacing
- ✓ Pre-configured with Enviro Clean Water Treatment System
- ✓ Italian manufacturer with all stainless steel components
- ✓ No water softener required.
- ✓ WRAS approved non-return valve
- ✓ Utilises up to 5x less chemical than traditional glasswashers
- ✓ 500x500mm basket

Specifications

Summary		Power and Performance	
Brand	Enviro Clean Pro	Power Type	13 Amp (Plug)
Range	Electronic	Power Consumption (kW)	3kW
Model Number(s)	ECGW50EL / ECGW500DP	Amps	13A
Unit Type	Undercounter Glasswasher	Wash Tank	17 Litre (2.4kW)
Basket Size (mm)	500		

Key Specifications		Weight & Dimensions	
Break Tank	WRAS Non Return Valve	Height (mm)	800
Waste Type	Gravity or Drain Pump	Width (mm)	560
Cycle Time (Seconds)	60, 90, 120, 150, 180	Depth (mm)	600
Cycle Type	Programmable	Clear Entry Height (mm)	320
Key Features	Digital Display, Thermostop, Soft Washing Start, Self Cleaning Cycle, Heat Recovery, No Water Softner Required	Weight (Kg)	120

Technical Diagram



Industrial Warewashers
Woodside Industrial Estate
Dunmow Road
Bishop's Stortford
Hertfordshire
CM23 5RG

Customer Care

Tel: 01279 876500 (Option 3)

Email: sales@industrial-warewashers.com

Opening Hours

Monday – Friday:
8.30am – 5.30pm