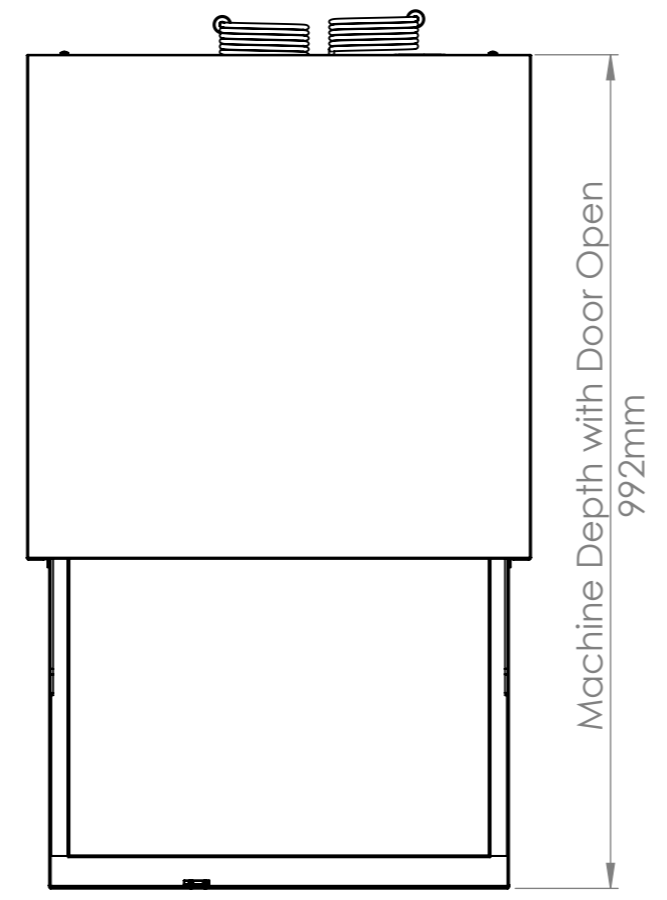
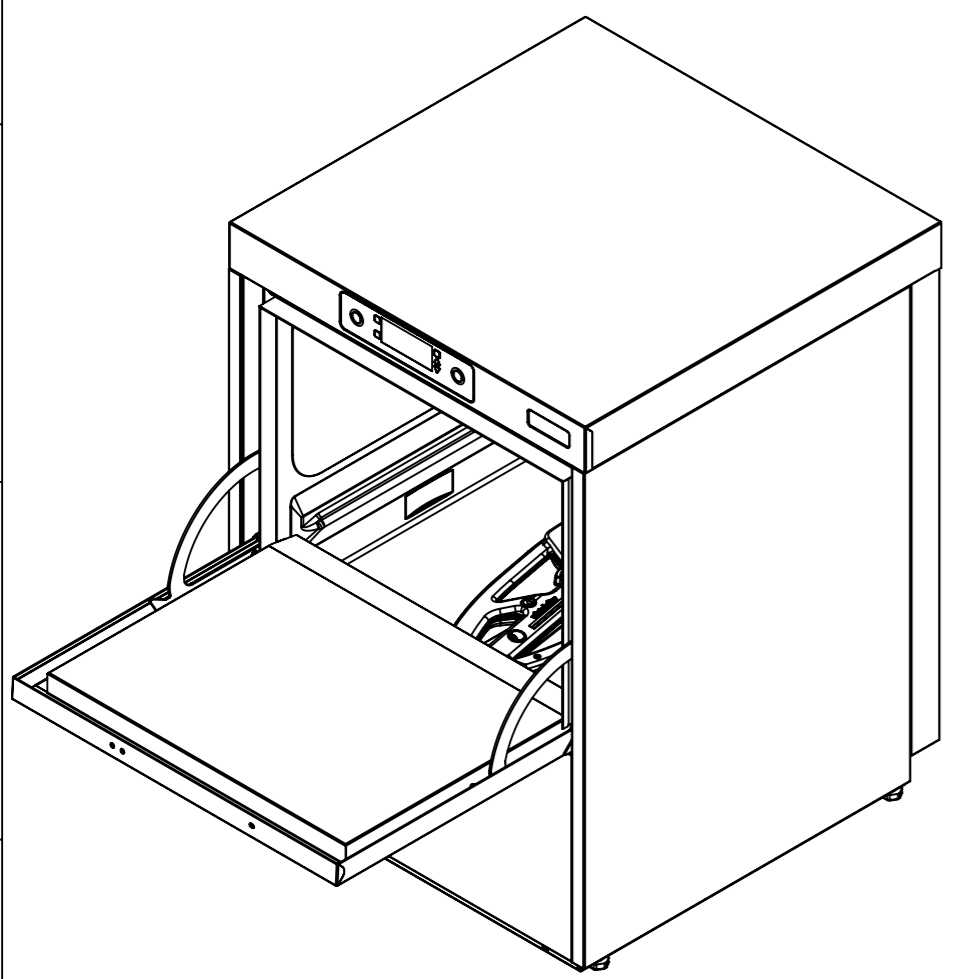


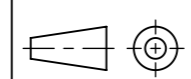
- A - Feet (30mm adjustment)
- B - Drain Connection
- C - Equi-potential connection
- D - Detergent tube Inlet
- E - Rinse Aid tube Inlet
- F - Water supply Inlet connection
- G - Mains Cable Gland
- H - Feet (30mm adjustment)



General Notes:

**CLASSEQ**  
 Classeq Ltd.  
 Classeq House  
 Beacon Business Park  
 Beacon Way  
 Stafford  
 ST18 0DG  
 United Kingdom

IF IN  
DOUBT  
ASK



NAME		DATE	STATUS:	
DRAWN		APP	09/12/2022	
MATERIAL:			DESCRIPTION:	
See Table			C500 & C500WS	
FINISH:		SIZE	DRAWING NO.:	REV.:
		A3	90001618	A
DO NOT SCALE 3D DATA IS MASTER DIMENSIONING WITH REFERENCE TO BS8888		WEIGHT:	SCALE:1:9	Sheet 3 of 3
		g	OUTSIDE DIMS.: H: APP W: APP D: APP	