

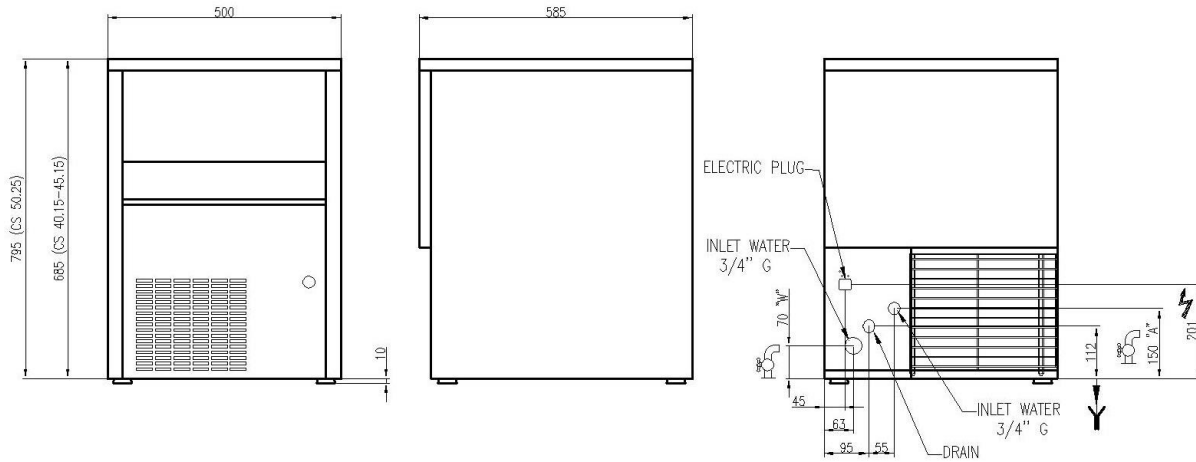
FULL ICE CUBE: High density full ice cube, crystal-clear and pure. Suitable for the long-lasting cooling of any drink, without water it down, for any use.

HORIZONTAL EVAPORATOR, SPRAY SYSTEM: The horizontal evaporator consists in conic copper cups faces down. The pump raises the water under pressure, which is sprayed to the evaporators thanks to the sprayers. The ice cubes are formed inside each cup and thanks to the hot gas they will fall down into the tank.

UNDERCOUNTER: Medium dimensions machines to be installed also under the bigger counter, with dimensions W60 x D70 x H85. Right for restaurants, bars of the different disco areas, for buffets and ceremonies. Big inside tank for ice, which allows a big quantity of ice ready to be used. All models are for tropical use: they can produce ice even at a room temperature of 43°C and water temperature of 32°C.



36 gr FULL ICE CUBE



	CS 37.15	CS 45.15	CS 50.25
Control system	M	M	M
Cooling system	A / W	A / W	A / W
Production in 24 h	37 kg Up to 1028cubes	45 kg Up to 1250 cubes	50 kg Up to 1390 cubes
Production per cycle	24 ice cubes	24 ice cubes	24 ice cubes
Storage capacity	15 kg Approx 417 cubes	15 kg Approx 417 cubes	25 kg Approx 694 cubes

Voltage Standard	230 V ~ 50 Hz	230 V ~ 50 Hz	230 V ~ 50 Hz
Power consumption	570 W	600 W	750 W
Type of refrigerant	R 452 A	R 452 A	R 452 A
Dimensions (WxDxH)	500x585x685 mm	500x585x685 mm	500x585x795 mm
Feet	+ 0÷20 mm	+ 0÷20 mm	+ 0÷20 mm
Net Weight	45 kg	46 kg	49 kg

Packing dimensions (WxDxH)	575x640x850 mm	575x640x850 mm	575x640x950 mm
Gross weight	52,5 kg	53,5 kg	56,5 kg

M= Mechanical control

W = Water cooled

A = Air cooled

WATER-TEMPERATURE	38°C	70%	65%	60%	55%	50%
	32°C	80%	70%	60%	55%	55%
	25°C	90%	80%	70%	60%	60%
		100%	100%	80%	70%	65%
	10°C	105%	100%	90%	80%	70%
		10°C	21°C	32°C	38°C	43°C

AMBIENT-TEMPERATURE